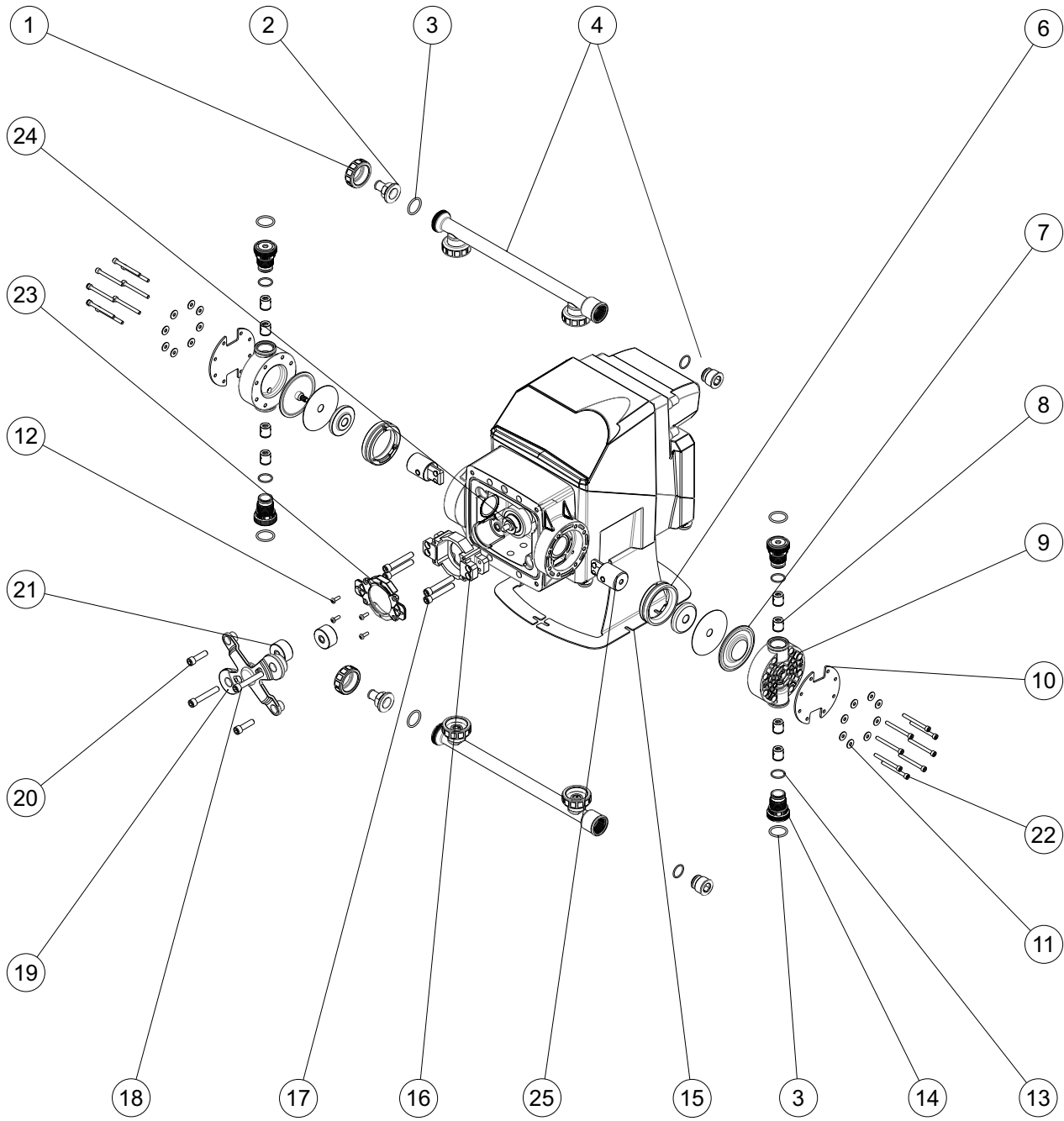


### 7.0 Exploded view and parts list



## 7.0 (continued)

ITEM NO.	PART NUMBER	DESCRIPTION	QTY.
1	91001-301	NUT UNION MD-3 MOLDED PVDF	6
2	91001-295	.50" BARB ADAPTER	2
	91001-296	.50" BARB ADAPTER ELBOW	
	91001-288	.50" M/NPT ADAPTER ELBOW	
	91001-287	.50" M/NPT ADAPTER	
3	90003-577	O-RING 2-119 (AFLAS 75)	6
	90003-153	O-RING 2-119 (EP)	
4	70001-504	MANIFOLD WITH FLANGE AND UNION NUT, PLUG WITH O-RING (TFE/P)	2
	70001-505	MANIFOLD WITH FLANGE AND UNION NUT, PLUG WITH O-RING (EP)	2
6	90002-350	DRIVE HEAD INSERT	2
7	72000-583	KIT DIAPHRAGM PVDF MD-3	2
	72000-601	KIT DIAPHRAGM FLEX-A-PRENE® MD-3	
8	70001-345	CARTRIDGE VALVE (TFE/P)	8
	70001-346	CARTRIDGE VALVE (EP)	
9	90002-272	PUMP HEAD	2
10	70004-538	PUMP HEAD FACE PLATE	2
11	90011-094	WASHER #10	16
12	90011-063	SCREW 8-32 X .37 RD PH SS	4
13	90003-141	O-RING 2-018 (TFE/P)	4
	90003-046	O-RING 2-018 (EP)	
14	90002-353	ADAPTER CART MD-3	4
15	90008-651	MOUNTING BRACKET	2
16	90007-675	HYPER-DRIVE YOKE	1
17	90011-229	SCREW 5/16 X 3/4 SHOULDER	6
18	90011-221	SCREW 5/16-18 X 1.25L SOC HD SS	2
19	76001-824	DRIVE FRONT LOAD SUPPORT ASSY	1
20	90011-222	SCREW 5/16-18 X 2.00L SOC HD SS	2
21	76001-373	FRONT LOAD SUPPORT SPACER	2
22	90011-210	SCREW 10-32 X 2.0 SOC HD	16
23	90002-368	HYPER DRIVE CAM COVER	1
24	71010-369	CAM DRIVE ASSEMBLY	1
25	71010-372	PISTON ASSEMBLY	2